



Outdoor Drop Roller Blinds

Extreme Wire Guide

The Rollease Acmeda Extreme Wire Guide System features robust hardware and a premium aluminium cassette providing a solution for significantly heavier, grander, and impressive shading systems.

Offering the perfect solution for both inside and outside domestic or commercial applications, the Extreme Wire Guide is capable of achieving widths up to 7 meters with 10 meter drops, driven by our impressive Automate AX motors.

Features

- Robust bearing idler features a 20mm stainless steel shaft with 2 heavy duty roller bearings to ensure extended smooth operation.
- Up to 7m widths or 10m drops
- A range of tubes up to 160mm diameter to ensure minimal deflection at extreme widths.
- Top, Face and Side fix applications.
- Cassette provides added protection for fabric roll.

Colour Range



Anodised



Woodland Grey



Monument



Pure White

Open Bracket Only



Black

Open Bracket Only





Aluminium Cassette

Extruded aluminium cassette (not roll-formed) for increased strength and durability. Integrated into the cassette are heavy duty brackets to ensure a superior hold while maintaining a clean, modern aesthetic.

Stainless Steel Tensioning

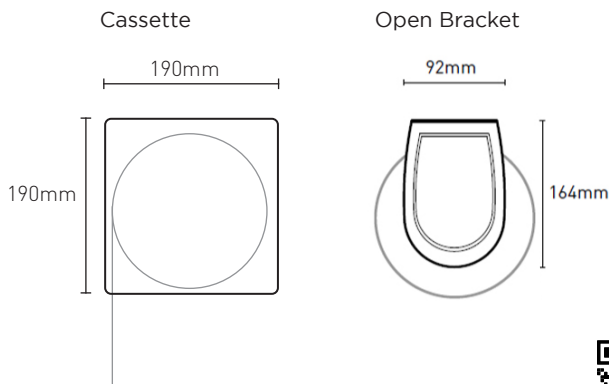
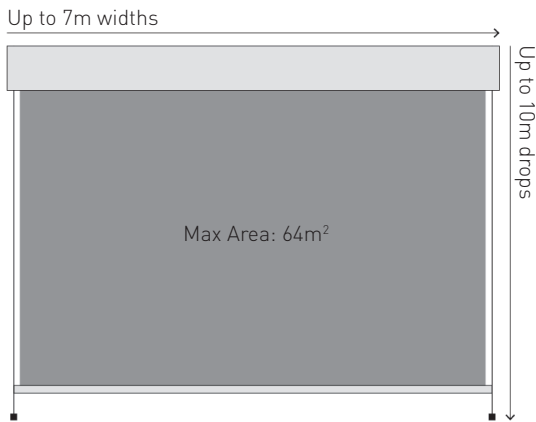
Secure stainless steel wire guide tensioning at base of blind for easy adjustment and maintenance.

Heavy Duty Weight Bar

F72 Heavy duty weight bar ideal for larger solutions but still modern in design. Matches headbox colors for premium aesthetic.

Capacity

Dimensions



Controls

Motorised

AUTOMATE®

- Remote control
- Pulse2 App control
- Voice control
- Smart Home integration

