



Outdoor Drop Roller Blinds

Veue Wire Guide

A discreet wire guided solution, great for floor to ceiling applications. Featuring a universal bracket to fix the base of the wire guide to the floor, face or recess. The Wire Guide system utilises compression springs to tension the wire, ensuring a smooth and steady guide for the fabric. Wire tension is quick and easy to adjust.

Features

- Veue Drop Awnings are modular. Utilise common components across the entire suite, including Zipscreen.
- One option from Rollease Acmeda's comprehensive outdoor shading suite.
- Universal bracket to fix the base of the awning to the floor, wall or in a recess.
- Wire tensioning is simple and quick to adjust.
- Compression spring to allow for wire stretch.

Colour Range



Pure White



Classic Cream



Paperbark



Surfmist



Anodised



Mill



Woodland Grey



Monument



Black

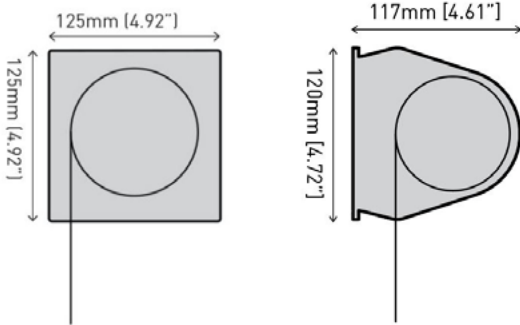


Capacity

Up to 5m (16.4ft) width



Dimensions



Controls

Manual



Spring
control

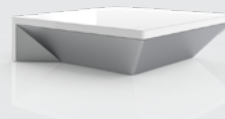


Crank
control

Motorised



Remote
control



Pulse2 hub



AUTOMATE®



Pulse2 App
control



Voice control



Smart Home
integration