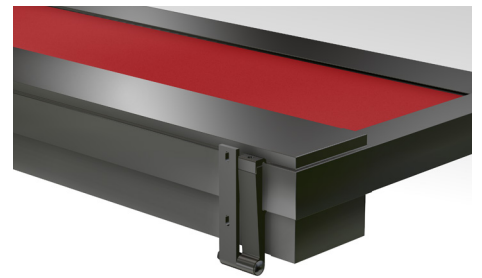
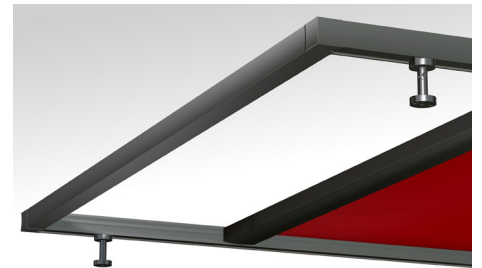
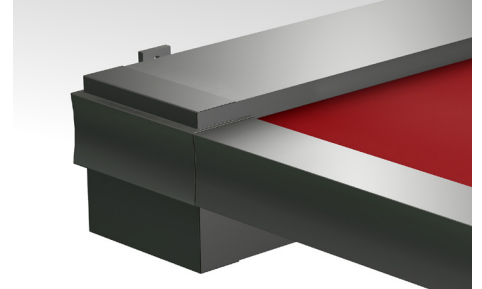


FRAME



Frame is a retractable roofing solution which provides sun, heat and glare protection. Designed with a slim cassette, the Frame system attaches to existing conservatories and pergolas to create a sheltered area, that is protected from the elements, all year round. Frame utilises a high-pressure gas spring system for rattle-free movement and constant tension across the length of the system, ensuring the fabric always remains smooth and taut. Frame can also be configured with our signature side guide technology, z-Lock™, providing superior tension across all four sides of the fabric and preventing any undesired rippling or sagging on larger applications.

FEATURES

- Motorised solution
- Non-visible, stainless steel screws and pins
- Wall and feet configurable at any pitch
- Weatherproof cassette
- High-pressure, safe and silent gas spring system
- Covers areas up to 36m² for large applications
- Premium powder coating finish
- z-Lock™ Compatible
- 100mm roller tube

COLOUR RANGE

Graphite Custom

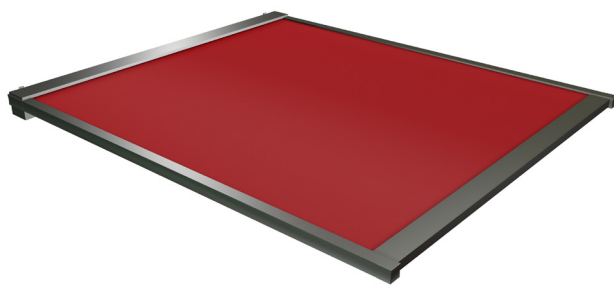
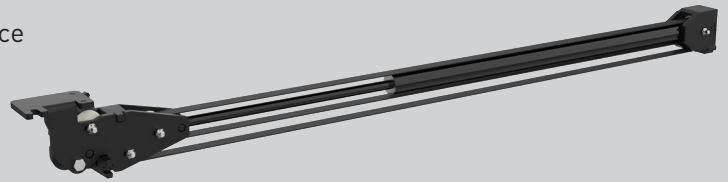


HIGH PRESSURE GAS SPRING SYSTEM

Integrated into the channels of the system, the Frame's high-pressure gas spring and pulley system maintain a constant tension on the roofing system's fabric, ensuring no loss of tension throughout use and operation. Coupled with our patented z-Lock™ technology, the Frame system maintains tension on the shade fabric from all four sides of the system.

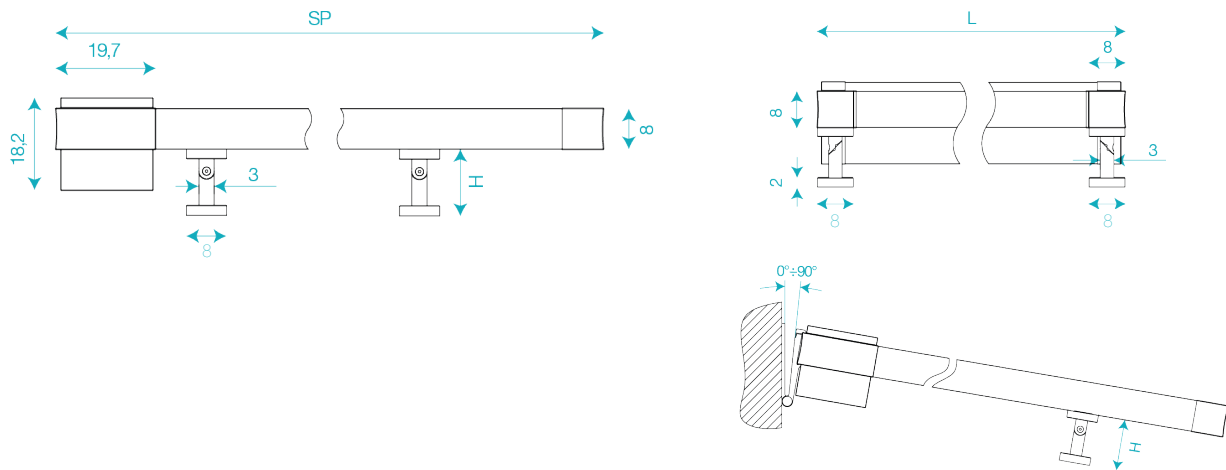
FEATURES

- Rattle-free movement, for a smooth and quiet experience
- Constant high-pressure reduces fabric rippling
- Increased longevity compared to conventional springs
- Controlled pressure release for safer operation



*Front Bar optional

DIMENSIONS Measurements in cm



SYSTEM CAPACITY

With z-Lock™: Up to 6m x 6m



AUTOMATE MOTORISATION

Easily control your motorised Frame with a remote or smart device using the Automate App & Pulse hub. Control awnings from anywhere in the world, set scenes and timers for automatic control and always know what awnings are doing thanks to ARC live feedback. The Pulse also integrates with smart voice-assistants to activate control via Google Assistant, Amazon Alexa and now Apple HomeKit with Siri.

